

de	Zimmereihobel	Originalbetriebsanleitung	6
en	Carpenter's plane	Translation of the original operating instructions	14
fr	Rabot de charpente	Traduction de la notice d'emploi originale	22
it	Piallatrice	Traduzione delle istruzioni d'uso originali	30
nl	Timmerschaaf	Vertaling van de originele gebruiksaanwijzing	38
es	Cepilladora de carpintero	Traducción del manual de instrucciones original	46
fi	Ammattilais-höylä	Käännös alkuperäiskäyttöohjeesta	55
sv	Elhyvel	Översättning av originalbruksanvisningen	63
da	Tømmerhøvl	Oversættelse af den originale betjeningsvejledning	71
ru	Плотницкий рубанок	Перевод оригинальной инструкции по эксплуатации	79
cs	Tesařský hoblík	Překlad původního provozního návodu	88
pl	Strug ciesielski	Tłumaczenie oryginalnej instrukcji obsługi	96
sl	Tesarski oblič	Prevod izvirnih navodil za uporabo	104



MAF00833/a

WARNING

Lesen Sie alle Sicherheitshinweise und Anweisungen. Versäumnisse bei der Einhaltung der Sicherheitshinweise und Anweisungen können elektrischen Schlag, Brand und/oder schwere Verletzungen verursachen. **Bewahren Sie alle Sicherheitshinweise und Anweisungen für die Zukunft auf.**

WARNING

Please read all safety instructions and directions. Failure to comply with the safety instructions and directions can cause electric shock, fire and/or serious injuries. **Please retain all safety instructions and directions for future reference.**

AVERTISSEMENT

Veillez lire toutes les consignes de sécurité et instructions. Tout non-respect des consignes de sécurité et instructions risque d'être à l'origine de décharges électriques, d'incendies et/ou de blessures graves. **Conservez toutes les consignes et instructions pour pouvoir les relire à tout moment.**

AVVERTENZA

Leggere tutte le avvertenze di sicurezza e le istruzioni. La mancanza del rispetto delle avvertenze di sicurezza e delle istruzioni possono causare scossa elettrica, incendio e/o gravi lesioni. **Conservare tutte le avvertenze di sicurezza e le istruzioni per il futuro.**

WAARSCHUWING

Lees alle veiligheidsaanwijzingen en instructies. Nalatigheid bij het naleven van de veiligheidsinstructies en aanwijzingen kan elektrische schok, brand en/of ernstige letsels veroorzaken. **Bewaar alle veiligheidsaanwijzingen en instructies voor later gebruik.**

ADVERTENCIA

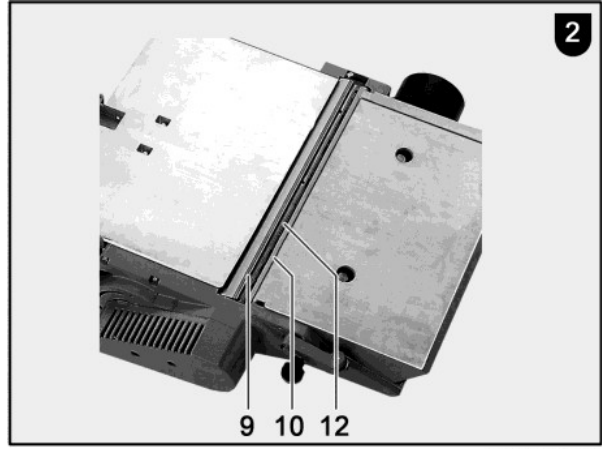
Lea todas las indicaciones de seguridad e instrucciones. Si no se cumplen las indicaciones de seguridad e instrucciones, se pueden producir descargas eléctricas, incendios y/o lesiones graves. **Guarde todas las indicaciones de seguridad e instrucciones para el futuro.**

VAROITUS

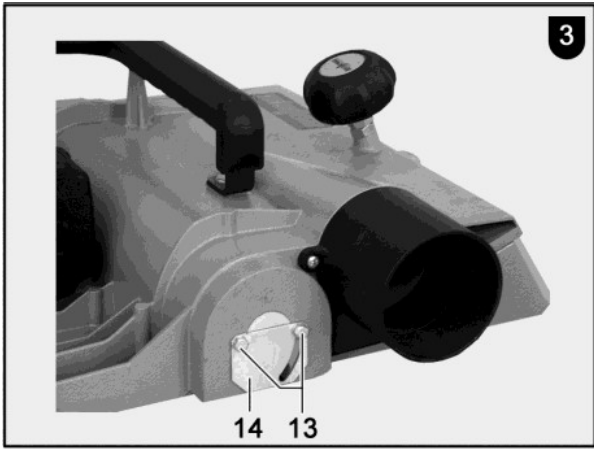
Lue kaikki turvaohjeet ja käyttöohjeet. Laiminlyönti turvaohjeiden ja käyttöohjeiden noudattamisessa voi aiheuttaa sähköiskun, tulipalon ja/tai vakavia vammoja. **Säilytä kaikki turvaohjeet ja käyttöohjeet tulevaisuuden varalle.**



MAF01579/a



MAF00835/a



MAF01580/a



MAF01581/a

D - EG Konformitätserklärung

Wir bescheinigen hiermit, dass die Maschine ZH 245 Ec den angeführten EU-Richtlinien entspricht. Bei Konstruktion und Bau wurden die gelisteten Normen angewendet. Bevollmächtigter für die Zusammenstellung der technischen Unterlagen: Mafell AG

GB - EC Declaration of Conformity

We herewith confirm that the machine ZH 245 Ec complies with the EU directives quoted. The standards listed were used for design and construction. Empowered person for the configuration of the technical documents: Mafell AG

F - Déclaration CE de conformité

Nous déclarons par la présente que la machine ZH 245 Ec est conforme aux directives CE applicables comme suit. Lors de la construction, les règlements suivants ont été utilisés. Plénipotentiaires pour l'assemblage des documentations techniques: Mafell AG

I - Dichiarazione di conformità CE

Con la presente certifichiamo che la macchina ZH 245 Ec è conforme alle seguenti direttive CE applicabili. Nella progettazione e la costruzione sono state applicate le seguenti norme. Responsabile per la composizione della documentazione tecnica: Mafell AG

NL - EG conformiteitsverklaring

Wij bevestigen hiermede dat de machine ZH 245 Ec aan de vermelde EU-richtlijnen beantwoord. Bij constructie en bouw werden de vermelde normen toegepast. Gemachtigde voor de samenstelling van de technische documenten: Mafell AG

E - Declaración de conformidad CE

Con la presente se certifica que la máquina ZH 245 Ec cumple las directivas europeas mencionadas, las cuales forman la base tanto del diseño constructivo como de los procesos de fabricación. Apoderado legal para la compilación de la documentación técnica: Mafell AG

FIN - EY-vaatimustenmukaisuusvakuutus

Vakuutamme täten, että kone ZH 245 Ec vastaa mainittujen EU-direktiivien vaatimuksia. Sen suunnittelussa ja valmistuksessa on sovellettu luettelossa ilmoitettuja standardeja. Teknisten asiakirjojen laatimiseen valtuutettu henkilö: Mafell AG

S - EG Konformitetsförklaring

Vi intygar härmed att maskinen ZH 245 Ec uppfyller angivna EU direktiv. De angivna normerna användes vid konstruktion och tillverkning. Befullmäktigad för sammanställningen av den tekniska dokumentationen: Mafell AG

DK - EU overensstemmelseserklæring

Vi attesterer hermed, at maskinen ZH 245 Ec opfylder de angivede EU-direktiver. Konstruktion og bygning er udført iht. de angivede standarder. Person, der er befuldmægtiget til at sammenstille det tekniske materiale: Mafell AG

RUS - Сертификат соответствия ЕС

Настоящим подтверждаем, что машина ZH 245 Ec отвечает требованиям указанных директив ЕС. При проектировании и изготовлении применялись перечисленные нормы. Уполномоченный представитель по составлению технической документации: Mafell AG

PL - Deklaracja zgodności UE

Niniejszym potwierdzamy, że maszyna ZH 245 Ec spełnia wymagania wyszczególnionych dyrektyw UE. W trakcie konstrukcji urządzenia zastosowano przedstawione normy. Pełnomocnik odpowiedzialny za zestawienie dokumentacji technicznej: Mafell AG

CZ - PROHLÁŠENÍ O SHODĚ

Tímto prohlašujeme, že stroj ZH 245 Ec splňuje pokyny uvedených směrnic EU. Při plánování a sestavení byly využity uvedené normy. Za sestavení technických podkladů zodpovídá: Mafell AG

SLO - ES izjava o skladnosti

S tem izjavljamo, da stroj ZH 245 Ec ustreza navedenim direktivam EU. Pri konstrukciji in izdelavi so uporabljeni naštetih standardi. Za sestavo tehnične dokumentacije je pooblaščen podjetje: Mafell AG



2006/42/EG
2014/30/EU
2011/65/EU

EN 62841-1, EN 62841-2-14, EN 55014-1, EN 55014-2,
EN 61000-3, EN 847-1

ZH 245 Ec

Art.-Nr. 925101, 925120, 925125

Mafell AG

D - 78727 Oberndorf, den 17.05.2019

Dipl.-Ing. Matthias Krauss
Vorstandsvorsitzender / CEO

i. V. Dipl.-Ing. Harald Schmid, MBA
Leitung Entwicklung und Konstruktion

Table of Contents

1	Signs and symbols	15
2	Product information	15
2.1	Manufacturer's data	15
2.2	Machine identification	15
2.3	Technical data	16
2.4	Emissions	16
2.5	Scope of supply	16
2.6	Safety devices	17
2.7	Use according to intended purpose	17
2.8	Residual risks	17
3	Safety instructions	17
4	Setting / Adjustment	18
4.1	Mains connection	18
4.2	Dust extraction	18
4.3	Blade change	19
5	Operation	19
5.1	Initial operation	19
5.2	Switching on and off	19
5.3	Depth of cut adjustment	19
5.4	Work instructions	19
5.5	Chip ejection	20
6	Service and maintenance	20
6.1	Tool	20
6.2	Storage	20
7	Troubleshooting	21
8	Optional accessories	21
9	Exploded drawing and spare parts list	21

1 Signs and symbols



This symbol appears at places where you will find instructions for your own safety.

Non-compliance with these instructions may result in very serious injuries.



This symbol indicates a potentially hazardous situation.

If this situation is not avoided, the product or objects in its vicinity may get damaged.



This symbol indicates tips for the user and other useful information.

2 Product information

for machines with product no. 925101, 925120, 925122 or 925125

2.1 Manufacturer's data

MAFELL AG, Beffendorfer Straße 4, D-78727 Oberndorf / Neckar, Phone +49 (0)7423/812-0, Fax +49 (0)7423/812-218

2.2 Machine identification

All details required for machine identification are available on the attached rating plate.



CE symbol to document compliance with the basic safety and health requirements according to Appendix I of the Machinery Directive.



For EU countries only

Do not dispose of electric tools together with household waste material!

In accordance with the European directive 2002/96/EC on waste electrical and electronic equipment and transposition into national law, obsolete electrical tools must be collected separately and recycled in an environmentally-compatible manner.



To reduce the risk of injury, please read the operating instructions.



Always wear ear protectors during work.

2.3 Technical data

Universal motor, radio and TV interference suppressed		230 V~, 50 Hz
Power input (permanent operation)		2500 W
Speed of planing shaft	while idling	8500 rpm
	at normal load	8500 rpm
Planing width		245 mm (9 5/8 in.)
Chip removal		0 - 4 mm (0- 3/16 in.)
Cutting speed at normal load		32.9 m/s (108 ft/sec.)
Weight without mains cable		13,2 kg (29.1 lbs)
Extractor connection diameter	Inside / outside	75/80 mm (2 15/16 – 3 1/8 in.)

2.4 Emissions

The values stated are emission levels. Although there is a correlation between emission and imission level, it cannot be reliably derived from this whether additional precautions are necessary. Factors influencing the current imission level existing at the workplace comprise the duration of exposure, the room characteristic, other sources of noise, etc. such as e.g. the number of machines and other adjacent machining operations. In addition, the permissible imission level may differ from country to country. This information is nevertheless suitable for providing the machine user with an improved assessment of the hazard and risk.

2.4.1 Noise emission specifications

Noise emission values determined according to EN 62841:

Sound pressure level	$L_{PA} = 99 \text{ dB (A)}$
Uncertainty	$K_{PA} = 1,5 \text{ dB (A)}$
Sound power level	$L_{PA} = 110 \text{ dB (A)}$
Uncertainty	$K_{PA} = 1,5 \text{ dB (A)}$

The noise measurement is recorded using the planing shaft included in the standard equipment.

2.4.2 Vibration specifications

The typical hand-arm vibration is 2.7 m/s^2 .

2.5 Scope of supply

Carpenter's plane ZH 245 Ec complete with:

- 1 set reversible blades
- 1 operating tool
- 1 operating manual
- 1 folder "Safety Instructions"

2.6 Safety devices



Danger

These devices are required for the machine's safe operation and may not be removed or rendered inoperative.

The machine is equipped with the following safety devices:

- Large base plate
- Handles
- Index mechanisms
- Hose connector

2.7 Use according to intended purpose

The carpenter's plane is exclusively intended for processing solid wood using HL-reversible blades.

Dimension and quality of the spacer blocks, blade carriers and reversible blades used must correspond to the parts listed in the spare parts list. The order numbers can be found in the spare parts list.

Any other use than described above is not permissible. The manufacturer cannot be held liable for any damage arising from such other use.

So as to use the machine as intended, comply with the operating, maintenance and repair instructions specified by Mafell.

2.8 Residual risks



Danger

Even if used in accordance with its intended purpose and despite conforming with the safety instructions, residual risks caused by the intended use will always remain.

- Touching the running planing shaft below the base plate.
- Touching the sharp planing blades with stationary planing shaft.
- Touching the sharp planing blade edges when changing the blades.
- Touching the running planing shaft through the chip ejector.

- Ejection of incorrectly fitted planing blades.
- Breakage and ejection of parts of the planing blades.
- Machine or workpiece get flung off when planing from within the workpiece.
- Touching live parts with the housing open and the mains plug not removed.
- Hearing can be impaired when working for long periods without ear protectors.
- Emission of harmful wood dusts during longer operation without extraction.

3 Safety instructions



Danger

Always observe the following safety instructions and the safety regulations applicable in the respective country of use!

General instructions:

- Children and adolescents must not operate this machine. This rule does not apply to young persons receiving training and being supervised by an expert.
- Never work without the protection devices prescribed for the respective operating sequence and do not make any changes to the machine that could impair safety.
- When operating the machine outdoors, use of an earth-leakage circuit-breaker is recommended.
- Damaged cables or plugs must be immediately replaced.
- Always check before beginning work whether the protection and work devices are safely attached and not damaged. Damaged protection devices and parts must be repaired or exchanged appropriately.
- Consider environmental influences. Do not expose the machine to rain and avoid working in a damp or wet environment as well as near to combustible liquids and gases.
- Do not carry the machine by its cable and do not use the cable to pull the plug out of the socket outlet.
- Pay attention that the cable is protected against oil and heat and is not pulled across sharp edges.

- Avoid sharp bends in the cable. Especially when transporting and storing the machine, do not wind the cable around the machine.
- Only allow an electrician to carry out work on the electrical parts of the machine.
- Store the machine in a dry, locked place outside the reach of children.

Instructions on the use of personal protective equipment:

- Always wear ear protectors during work.
- Always wear a dust mask during work.

Instructions on operation:

- **Wait for the cutter to stop before setting the tool down.** An exposed rotating cutter may engage the surface leading to possible loss of control and serious injury.
- **Hold the power tool by insulated gripping surfaces, because the cutter may contact its own cord.** Cutting a "live" wire may make exposed metal parts of the power tool "live" and could give the operator an electric shock.
- **Use clamps or another practical way to secure and support the workpiece to a stable platform.** Holding the workpiece by your hand or against the body leaves it unstable and may lead to loss of control.
- Provide for an unobstructed and slip-proof location with adequate lighting.
- The power plug must be pulled before replacing tools, making adjustments and repairing malfunctions (this also comprises removing jammed chips).
- Do not work on workpieces which are too small or too large for the capability of the machine.
- The switch may not be wedged.
- Only begin planing the workpiece when the planing shaft has achieved its full speed.
- Examine the workpiece for foreign objects. Never attempt to plane over nails or other metal objects.
- During planing, always lead the connecting cable away from the machine to the side (Fig. 1).
- An even feed during planing increases the life time of blades and machine and reduces the risk of accidents. Do not reverse plane or plunge plane!

- Planing blades must be reversed or replaced in good time, as blunt blades do not only increase the danger of backlash, but also place an unnecessary strain on the motor.
- Never reach into the planing shaft or into the chip ejector while the machine is running.
- The wood dust arising during planing impairs the necessary view and is partly injurious to health. If the machine is used for longer periods, it must therefore be connected to a chip extractor, e.g. a portable small extractor, if the work is not carried out outdoors or in a sufficiently ventilated room. The air velocity must be at least 20 m/s (65.6 ft/sec.).

Instructions on service and maintenance:

- Regularly cleaning the machine, especially the adjusting devices and guides, constitutes an important safety factor.
- Only original MAFELL spare parts and accessories may be used. Otherwise the manufacturer will not accept any warranty claims and cannot be held liable.
- Use a suitable tool, e.g. a piece of wood to clean a clogged ejection nozzle. Do not reach into the ejection nozzle.

4 Setting / Adjustment

4.1 Mains connection

The carpenter's plane is equipped with protective insulation according to Class I and may therefore only be connected to socket outlets with protective earth conductor.

Prior to commissioning make sure that the mains voltage complies with the operating voltage stated on the machine's rating plate.

4.2 Dust extraction

Connect the machine to a suitable external dust extractor during all work generating a considerable amount of dust. The air velocity must be at least 20 m/s (65.6 ft / sec.).

The internal diameter of hose connector is 75 mm (2 15/16 in.).

4.3 Blade change



Danger

Pull the power plug during all service work.

Sharp planing blades guarantee a regular planing pattern and put less strain on the motor. Blunt planing blades must therefore be reversed or exchanged.

Prior to the blade exchange, release screws 13 (Fig. 3) at the lateral cover and tilt away the cover 14. Screw the hexagon head screws 10 (Fig. 2) approx. 1 - 2 turns into the spacer blocks 12 using the open-ended spanner (width across flats 8). Pull the spacer blocks with blade and blade carrier 9 laterally from the planing shaft.

Clean all parts and the blade chamber inside the planing shaft.

Always reverse both blades or fit new blades. Pay attention that the blades are fitted on the pins in the spacer block first and only then the blade carriers. Afterwards, insert the blades including the carrier system laterally into the planing shaft and pay attention that blade carrier and blades do not laterally protrude beyond the shaft body. First only lightly, then firmly tighten the clamping screws from the centre outwards using the open-ended spanner (width across flats 8) included in the supply (8.4 Nm). Tilt the cover back again and tighten the screws. The planing shaft has been preset at the factory. An adjustment of the fitted blades is therefore not necessary and may not be carried out, as otherwise the permissible projection of the blades beyond the shaft body may be exceeded.

5 Operation

5.1 Initial operation

Personnel entrusted to work with the machine must be made aware of the operating instructions, calling particular attention to the chapter "Safety instructions".

5.2 Switching on and off

Before switching on, pay attention that the machine's planing shaft does not rest on the support or on the workpiece. For this purpose, lift the carpenter's plane with both hands by the handles 1 and 4 (Fig. 4).

- **Switching on:** First unlock the switch-on lock by pressing the locking lever 15 (Fig. 4) to the front. Then actuate the control lever 2. As this is a switch without locking device, the machine will only run for as long as this switch is pressed.

The built-in electronic system provides for jerk-free acceleration when the machine is switched on and under load readjusts the speed to the fixed setting.

In addition, this electronic system adjusts the motor down in case of overload, i.e. the planing shaft will stop. The load on the machine must then be reduced until the planing shaft has reached its full speed. After that, continue to plane at reduced feed speed.

- **Switching off:** To switch off, release the switch trigger 2. The switch-on lock automatically takes effect again and secures the machine against accidental switch-on.

On switching off the machine, the automatic brake takes effect simultaneously. This shortens the slowing time of the machine to approx. 1 - 3 seconds.

5.3 Depth of cut adjustment

The chip removal can be set to between 0 and 4 mm (0 - 3/16 in.). This is done with the handle 5 (Fig. 4) for depth of cut adjustment. The set planing depth can be read off scale 6.

During normal operation, the chip removal should remain restricted to approx. 3 mm (1/8 in.). To avoid overloading the motor, the maximum chip removal should only be used in extreme cases.

5.4 Work instructions

Thanks to its balanced weight distribution, the carpenter's plane has a good grip. It can be guided using the handles 1 and 4 (Fig. 4).

For planing, the machine's front contact area is placed onto the workpiece such that the planing shaft does not engage. After switching on and as soon as the planing shaft has reached its full speed, the carpenter's plane is guided over the timber applying an even pressure. An even feed results in a regular planing pattern and reduces the strain on the machine.

When the carpenter's plane is overloaded, the speed of the planing shaft drops. It is then necessary to wait until the planing shaft has reached its full speed

again. Afterwards, it is possible to continue working with reduced feed.

When working with a full planing width, the lever with guide roller 7 is tilted downwards and tensioned with the knurled knob 8. This provides the plane with a lateral guide.

After planing, immediately switch off the machine by releasing the switch and do not put down with running planing shaft. When resetting the chip removal to 0, the plane may be put down on a flat surface without damaging the support, even if the blades are in an unfavourable position.

5.5 Chip ejection

The carpenter's plane is designed such that during planing with appropriate feed speed and fully utilised planing width, an efficient chip ejection is ensured. In the process, the chips are ejected to the side so that the view onto the workpiece is not obstructed.

6 Service and maintenance



Danger

Pull the power plug during all service work.

MAFELL machines are designed to be low in maintenance.

The ball bearings used are greased for life. When the machine has been in operation for a longer period of time, we recommend to hand the machine in at an authorised MAFELL customer service shop for inspection.

Only use our special grease, order No. 049040 (1 kg tin) for all greasing points.

6.1 Tool

The planing shaft, spacer blocks, blade carriers and blades used on the machine should be regularly deresinified as a clean tool improves the cutting quality. Deresinification is carried out by placing the spacer blocks, blade carriers and reversible blades for 24 hours in petroleum or a commercial deresinificaton agent.



Aluminium tools may only be deresinified with solvents which do not corrode the aluminium.

6.2 Storage

If the machine is not used for a longer period of time, it has to be carefully cleaned. Spray bright metal parts with a rust inhibitor.

7 Troubleshooting



Danger

Determining the causes for existing defects and eliminating these always requires increased attention and caution. Pull the mains plug beforehand!

Some of the most frequent defects and their causes are listed in the following chart. In case of other defects, contact your dealer or the Mafell customer service.

Defect	Cause	Elimination
Machine cannot be switched on	No mains voltage	Check power supply
	Mains fuse defective	Replace fuse
	Carbon brushes worn	Take the machine to a Mafell customer service shop
Machine switches off automatically during idling or stops during planing	Mains failure	Check mains back-up fuses
	Machine overloaded	Reduce feed speed
Speed decreases during planing	Excessive chip removal	Reduce chip removal
	Feed rate too fast	Reduce feed speed
	Blunt blades	Reverse or exchange blades
Irregular planing pattern	Blunt blades	Reverse or exchange blades
	Uneven feed	Plane with constant pressure and reduced feed
Chip ejection blocked	Excessive chip removal	
	Feed rate too fast	
	Blunt blades	
	Wood is too damp	
	Extended planing without extraction	Connect to an external extraction, e.g. portable dust extractor

8 Optional accessories

- Reversible blades (1 pair) Order No. 091895
- Reversible blades (3 pairs) Order No. 091896
- Clamping jaws Order No. 203319
- Blade holder (1 pair) Order No. 091796
- Reducing socket ZH-RS Order No. 207877

9 Exploded drawing and spare parts list

The corresponding information in respect of spare parts can be found on our homepage: www.mafell.com

GARANTIE

Gegen Vorlage der Garantieunterlage (Original-Kaufbeleg) werden innerhalb der jeweils gültigen Gewährleistungsregelungen kostenlos alle Reparaturen ausgeführt, die nach unseren Feststellungen wegen Material-, Bearbeitungs- und Montagefehlern erforderlich sind. Verbrauchs- und Verschleißteile sind hiervon ausgeschlossen. Hierzu muss die Maschine bzw. das Gerät frachtfrei an das Werk oder an eine MAFELL-Kundendienststelle geschickt werden. Vermeiden Sie, die Reparatur selbst zu versuchen, da dadurch der Garantieanspruch erlischt. Für Schäden, die durch unsachgemäße Behandlung oder durch normalen Verschleiß entstanden sind, wird keine Haftung übernommen.

WARRANTY

Upon presentation of the warranty document (original invoice), we will carry out all repairs free of charge in accordance with the applicable warranty provisions, processing and mounting faults free of charge on presentation of this properly filled-in Guarantee Certificate and your original receipt. This is not valid for consumables and wearing parts. For this purpose, the machine or the appliance is to be forwarded freight paid to our plant or to an authorized MAFELL repair service. Refrain from trying to carry out the repairs yourself as otherwise your warranty claim will become extinct. We do not accept any liability for any damage resulting from improper handling or normal wear.

GARANTIE

Sur présentation de cette carte de garantie, dûment remplie par votre fournisseur et accompagnée de l'original de la pièce justifiant l'achat, nous effectuerons gratuitement toutes les réparations faisant l'objet d'un recours en garantie pendant la période indiquée, de la construction ou de la fabrication, à l'exclusion des pièces de consommation et d'usure. La machine ou l'appareil doit être pour cela expédié franco de port à notre usine ou à un atelier de service après-vente MAFELL. Évitez de procéder vous-mêmes à toute réparation, ceci périmant tout recours en garantie par la suite. Nous déclinons toute responsabilité en cas de dommages découlant d'une manipulation non conforme ou d'une usure normale.

GARANZIA

Dietro presentazione del presente certificato di garanzia, regolarmente compilato, insieme alla ricevuta originale, vengono eseguite gratuitamente tutte le riparazioni necessarie riscontrate dai nostri accertamenti, entro il periodo di garanzia vigente, dovuti a difetti di materiale, di lavorazione o di montaggio. Da ciò sono esclusi pezzi di consumo e pezzi soggetti ad usura. A questo scopo la macchina ovvero l'apparecchio (elettrico) va spedito franco di porto allo stabilimento oppure a un punto di assistenza clienti della MAFELL. Evitate di tentare Voi stessi di effettuare la riparazione, altrimenti il diritto di garanzia viene revocato. Non ci assumiamo alcuna responsabilità per danni derivanti da trattamento non conforme o da normale usura.

GARANTIE

Tegen vertoon van dit reglementair ingevuld garantie-bewijs, samen met het originele koopbewijs worden binnen de telkens geldige garantieregelingen gratis alle reparaties uitgevoerd, die volgens onze constateringen op grond van materiaal-, bewerkings- en montagefouten vereist zijn. Verbruik- en slijtagedelen zijn hiervan uitgesloten. Hiervoor moet de machine resp. het apparaat vrachtvrij naar de fabriek of naar een MAFELL-klantenservice worden gestuurd. Vermijdt u het de reparatie zelf uit te voeren, omdat daardoor de garantieclaim vervalt. Voor schade die door ondeskundige behandeling of door normale slijtage is ontstaan, wordt geen aansprakelijkheid aanvaardt.

GARANTÍA

Presentando este documento de garantía (recibo original de compra), todas las reparaciones necesarias por defectos de material, errores de mecanizado o faltas de montaje en el marco de las reglamentaciones de la garantía concedida por parte del fabricante se efectuarán libre de gastos. Se excluyen sin embargo piezas fungibles o de desgaste. Para ello, entregue a porte pagado la máquina o el equipo a las fábricas del fabricante o a uno de los puntos de asistencia técnica de MAFELL. No realice nunca las tareas de reparación a cuenta propia. De lo contrario, caducará el derecho a garantía. No se asumirá responsabilidad alguna por los daños que se desprendan del uso inapropiado ni por el desgaste en el uso diario.

TAKUU

Tätä takuukuittia (alkuperäinen ostokuitti) vastaan suoritetaan voimassa olevan takuuajan sisällä maksutta kaikki korjaukset, jotka olemme todenneet tarpeellisiksi materiaali-, valmistus- ja asennusvirheistä johtuen. Käyttö- ja kuluvat osat ei kuulu takuupiiriin. Korjausta varten kone tai laite on lähetettävä asianmukaisesti postitettuna joko tehtaalle tai johonkin MAFELL-asiakaspalveluun. Älä yritä korjata konetta itse, koska siinä tapauksessa takuu sammuu. Takuu ei vastaa vahingoista, jotka johtuvat asiaankuulumattomasta käytöstä tai normaalista kulumisesta.